



**EMAUX**<sup>®</sup>  
Water Technology



Emaux E-Power  
Variable Speed Pump

# ENERGY EFFICIENCY PUMP AT ALL TIMES

*Super Quiet Operation*

*Robust and Reliable*

*Superior Energy Saving Technology*

*User Friendly Programming*

*Latest Hydraulic Design to Maximize  
your Investment*

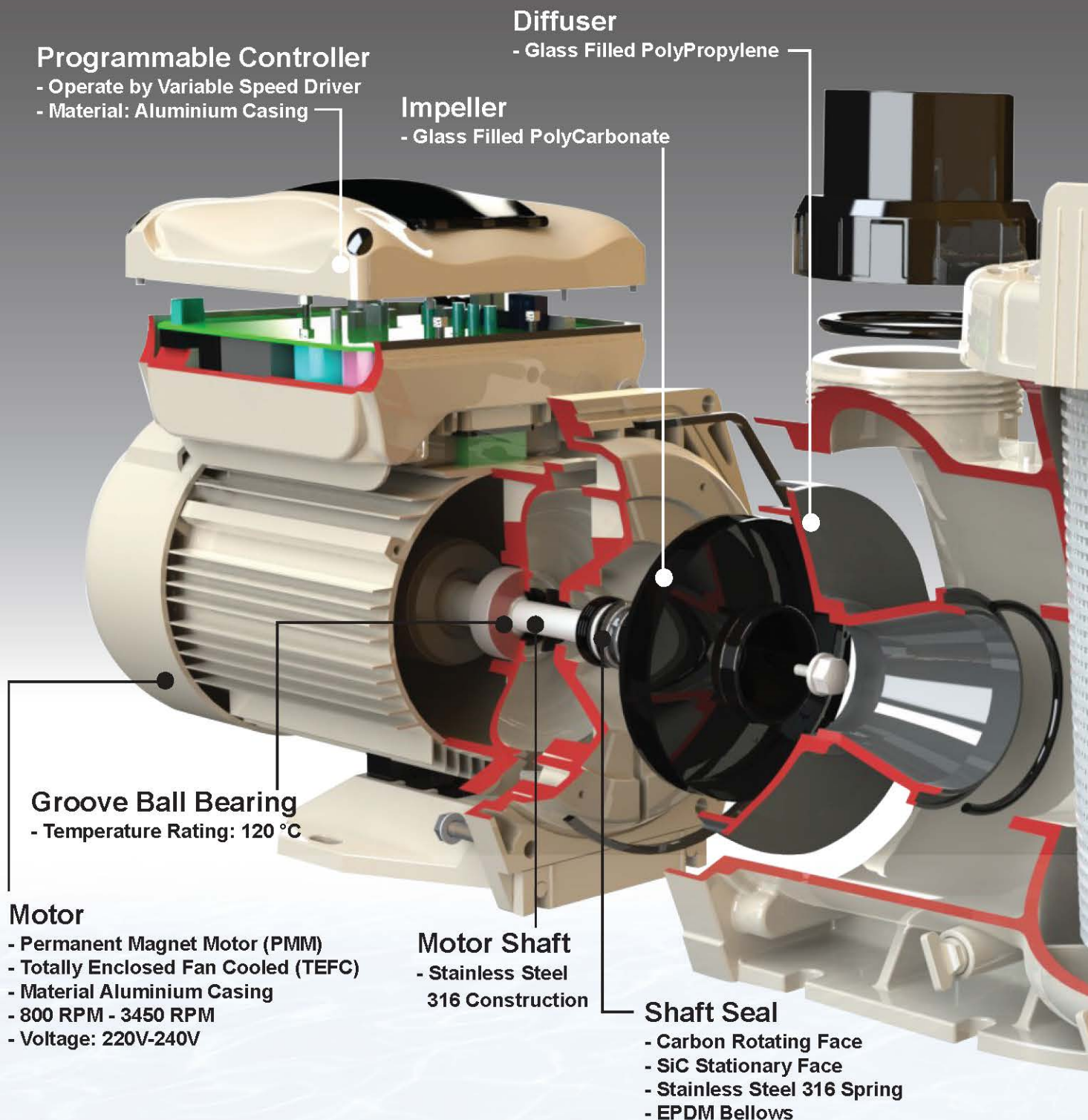


[www.emaux.com.au](http://www.emaux.com.au)

# Advantages of **Variable Speed vs Traditional Single Speed**

Emaux E-Power Variable Speed Pump reduces the energy usage of your pool, spa, waterfalls, or fountains. The saving due to higher efficiency, provides saving from over-usage and lower equipment maintenance cost.

Traditional single speed pump runs at maximum load continuously, inefficient and high running cost compared to the Emaux EPV range. Reduced speeds provides slower water circulation rates puts less strain on the complete installation such as filter, sanitization and plumbing. It reduces the wear and tear factor ending in saving to the home owner.



# Motor Advantage

Emaux E-Power Variable Speed Pump utilizes the latest Permanent Magnet Motors (PMM) technology, it produces a magnetic field between the rotor and windings. The energy saving is derived from the ability to reduce the RPM of the motor itself. The standard motor consumes electricity to induce the magnetic field into the rotor; on the other hand, PMM motor gains efficiency by the magnets working to spin the rotor, which achieves efficiency ratings of 90%\*.

## Transparent Lid

- Allow "See Thru" Quick Inspection

## Ring Locking

- Simple Maintenance

## O-Ring

- High Resistance  
Nitrile O-Ring

2" / 2.5"

Union Connections

## Basket

- Enlarged 5 Litre Strainer

## Pump Body

- Glass Filled Acrylonitrile  
Butadiene Styrene

# Energy Saving

Most of energy saving comes from the ability to program the pump and reach the ideal flow rate by scheduling the E-Power Variable Speed Pump. Power consumption reduces as pump speed and water flow reduces. Reducing the speed of your pump by half, the flow rate also drops to half, but the power consumption of the pump is reduced 85%\*.

## Model: EPV-150

Speed (RPM)	Flow (LPM)	Efficiency (Liter/Watt)	Flow (GPM)	Efficiency (Gallon/Watt)	Power (Watt)
900	101	121	27	32	50
1,500	207	95	55	25	130
2,500	368	44	97	12	505
2,900	417	29	110	8	850
3,400	509	26	135	7	1190

# Noise Level

With the advanced hydraulic design, water moves much more efficiently and the operation is whisper quiet with the E-Power Variable Speed Pump operating at lower speeds. The Permanent Magnet Motor technology eliminates excessive motor noise; E-Power Variable Speed Pump brings you to another level of satisfaction.

# Application & Installation

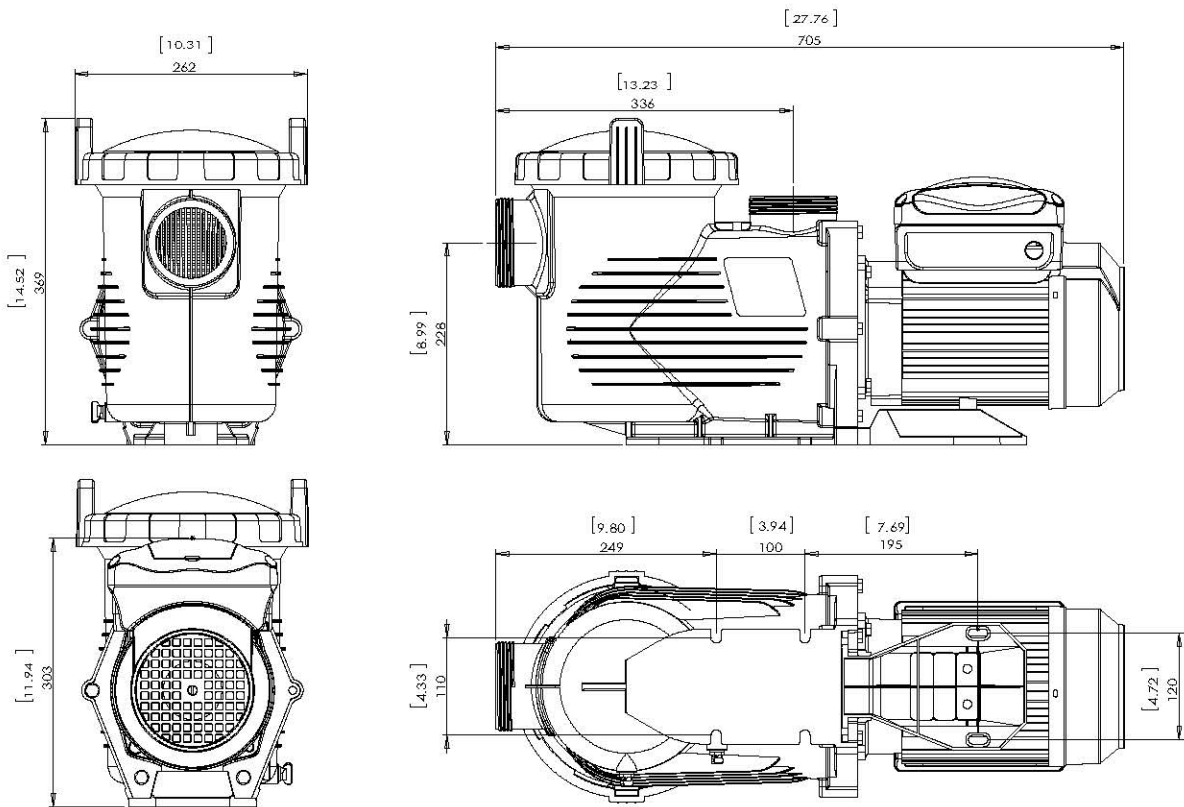
Emaux E-Power Variable Speed Pump maximizes the efficiency of your pool filtration system with the aid of the one touch controller. The presettable direct speed controller enables the homeowner to manage their usage with a press of a single button to schedule their water system with piece of mind. Crystal clear quality pool water is provided with Emaux E-Power Variable Speed Pumps.



# Product Information & Dimension

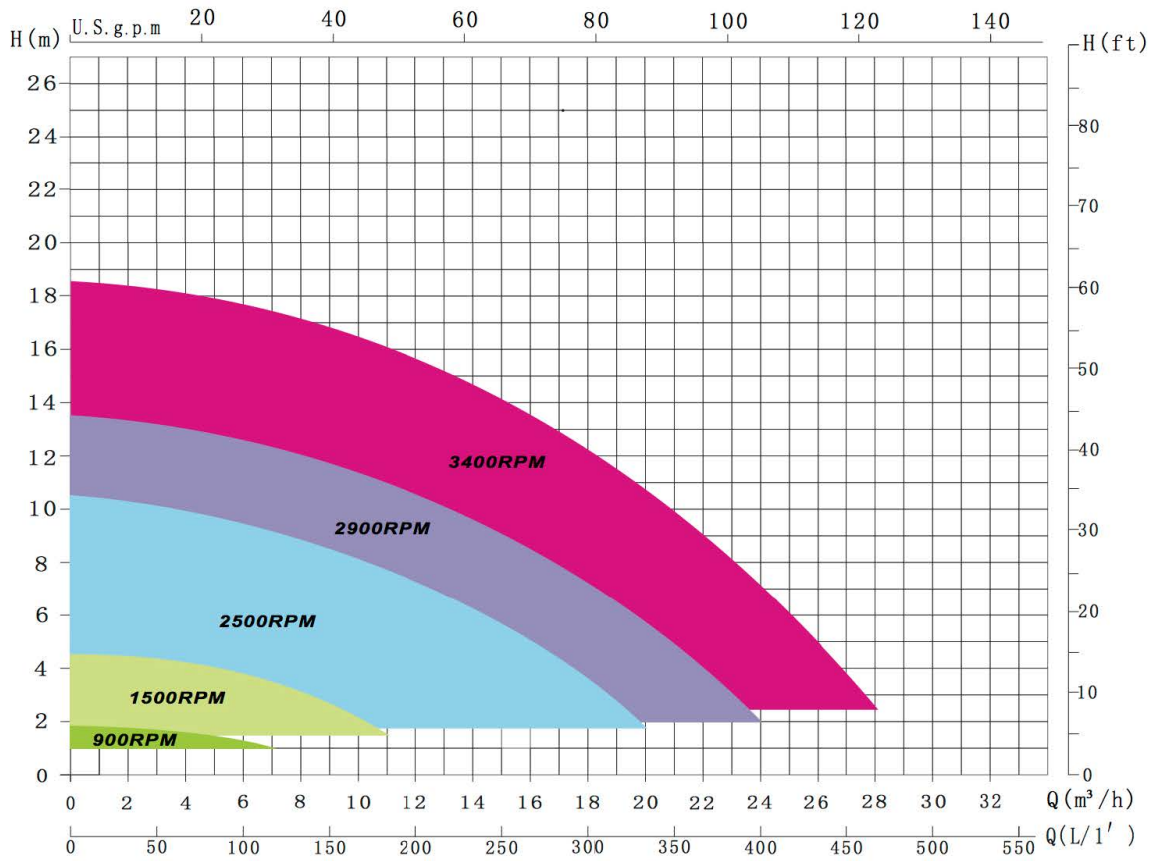
Code 220V-240V 50Hz/60Hz	Model Code	Connection Size		Input Power (Max.)	Horsepower	Weight(kg)
88021105	EPV100	2 inch	2.5 inch	1.10kW	1.0hp	22.00
88021107	EPV150	2 inch	2.5 inch	1.50kW	1.5hp	23.00
88021108	EPV200	2 inch	2.5 inch	1.80kW	2.0hp	24.00
88021109	EPV300	2 inch	2.5 inch	2.20kW	3.0hp	25.00

## Overall Dimension

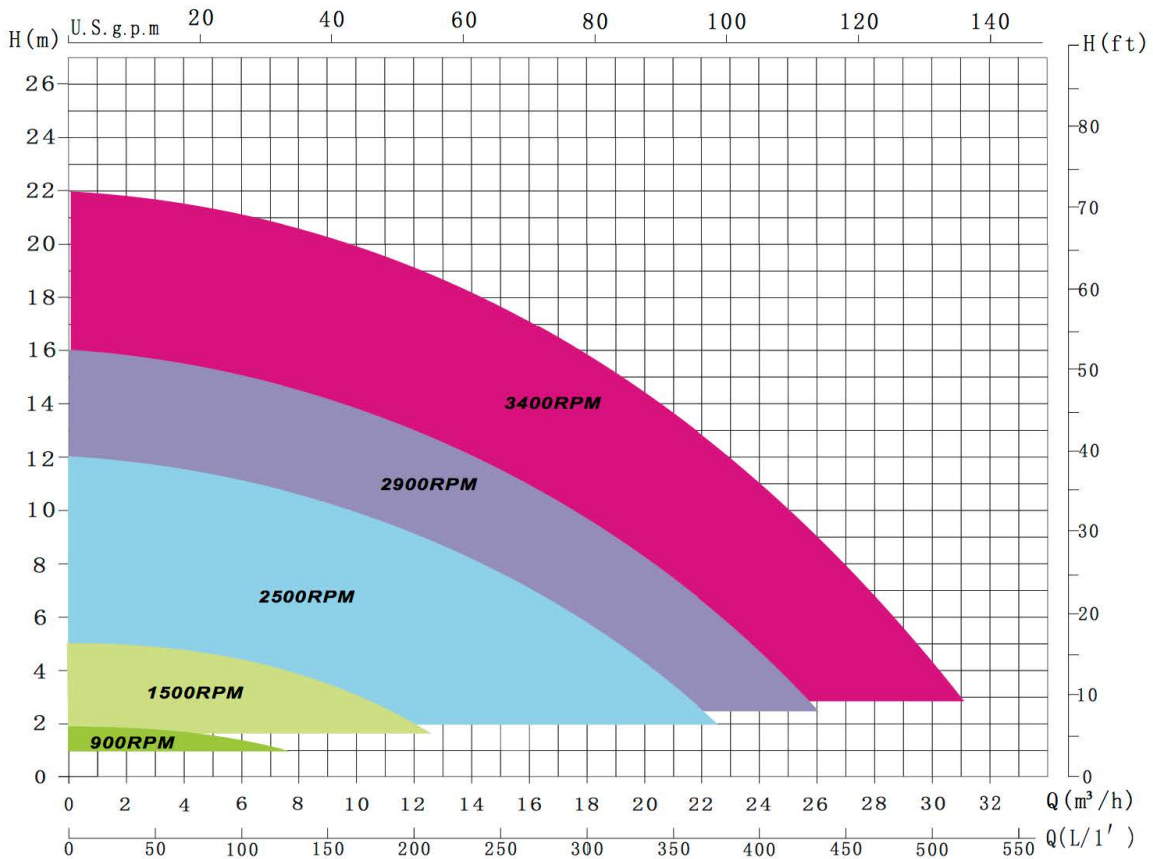


# Performance Data

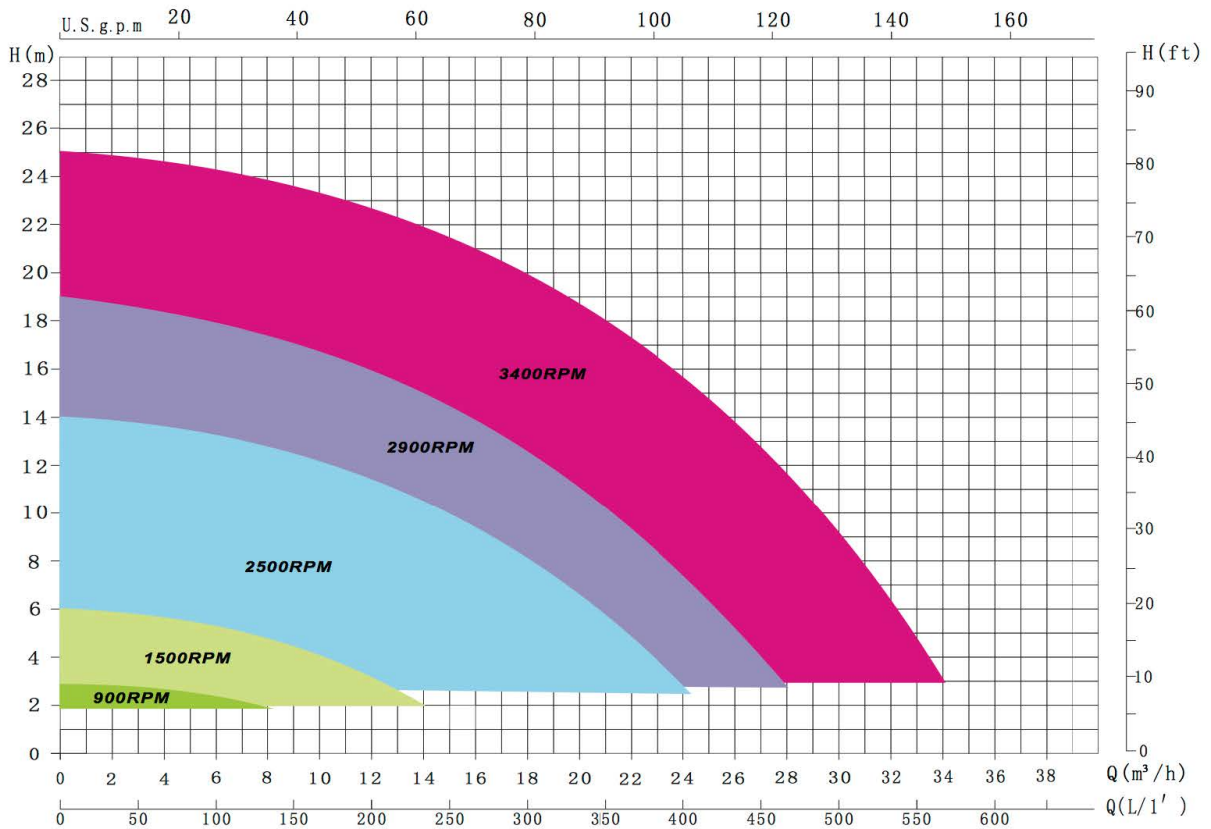
The performance advantages of E-Power Variable Speed Pump goes better than the energy saving. It is much quieter, requires less maintenance, has longer equipment life, and increase the effectiveness of the filter by slower water filtration rates.



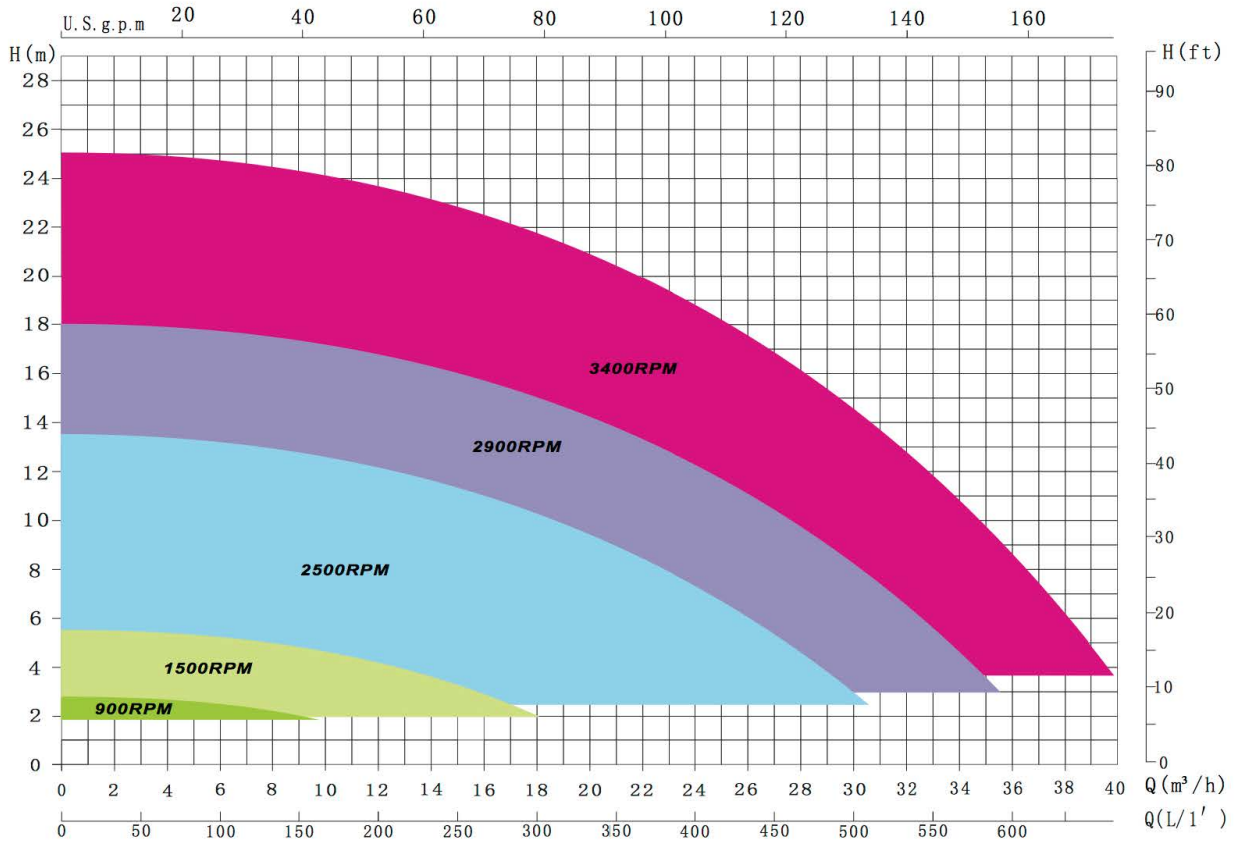
**EPV100 230V-50Hz/60Hz**



**EPV150 230V-50Hz/60Hz**



**EPV200 230V-50Hz/60Hz**



**EPV300 230V-50Hz/60Hz**

## EMAUX WATER TECHNOLOGY

Over 35 years of engineering experience in Water Technology, providing expert solution in all water related matters based on our innovative ideas, automated production processes, and professionalism. Emaux is the leading water technology company that incorporates R & D, Production, and Sales under one roof.

Available from:



[www.emaux.com.au](http://www.emaux.com.au)

Waterpark & Aquarium / Competition Pool / Residential Pool / Commercial Pool / Water Treatment / Water Feature